

AUGUST 2011

	NAME	S400	S300	E200	C110	B100
ONE-PIECE TOILETS	AIMES®	●	●	●	●	●
	AQUIA 1-PC®		●	●	●	●
	CAROLINA® (I & II)		●	●	●	●
	CARLYLE® (I & II)	●	●	●	●	●
	GUINEVERE®		●	●	●	●
	LEGATO®	●	●	●	●	●
	LLOYD®		●	●	●	●
	ECO LLOYD®		●	●	●	●
	PACIFICA®		●	●	●	●
	RYOHAN®		●	●	●	●
	SOIREE®		●	●	●	●
	SUPREME® (elongated)		●	●	●	●
	SUPREME® (round)			★	★	
	ECO SUPREME® (elongated)			●	●	●
	ECO SUPREME® (round)			★	★	
	SUPREME II®			●	●	●
	ULTIMATE® (elongated)	●	●	●	●	●
	ULTIMATE® (round)	★	★	★	★	
	ULTRAMAX® (elongated)	●	●	●	●	●
	ULTRAMAX® (round)	★	★	★	★	
	ECO ULTRAMAX® (elongated)	●	●	●	●	●
ECO ULTRAMAX® (round)	★	★	★	★		
ULTRAMAX II®	●	●	●	●	●	
WILLINGHAM®			●	●	●	
TWO-PIECE TOILETS	AQUIA® (I, II, III)		●	●	●	●
	AQUA WALL-HUNG®		●	●	●	●
	CARROLLTON®		●	●	●	●
	CARUSOE® (elongated)		●	●	●	●
	CARUSOE® (round)			★	★	
	CLAYTON®		●	●	●	●
	ECO CLAYTON®		●	●	●	●
	DARTMOUTH®	●	●	●	●	●
	ECO DARTMOUTH®		●	●	●	●
	DRAKE® (elongated)	●	●	●	●	●
	DRAKE® (round)	★	★	★	★	
	ECO DRAKE® (elongated)	●	●	●	●	●
	ECO DRAKE® (round)	★	★	★	★	
	DRAKE II®	●	●	●	●	●
	MARIS®		●	●	●	●
	MERCER®	●	●	●	●	●
	NEXUS®	●	●	●	●	●
	ECO NEXUS®	●	●	●	●	●
	PACIFICA®**		●	●	●	●
	PROMENADE® (elongated)	●	●	●	●	●
	PROMENADE® (round)	★	★	★	★	
	ECO PROMENADE® (elongated)		●	●	●	●
	ECO PROMENADE® (round)			★	★	
	ROWAN® (elongated)		●	●	●	●
	ROWAN® (round)			★	★	
	VESPIN® (I & II)	●	●	●	●	●
	WHITNEY®		●	●	●	●
	ECO WHITNEY®			●	●	●

* THU9090 Adapter Kit Required
 **THU9090 Adapter Kit Recommended

● SW564 elongated
 ★ SW563 round

● SW554 elongated
 ★ SW553 round

● SW844 elongated
 ★ SW843 round

● SW524 elongated
 ★ SW523 round

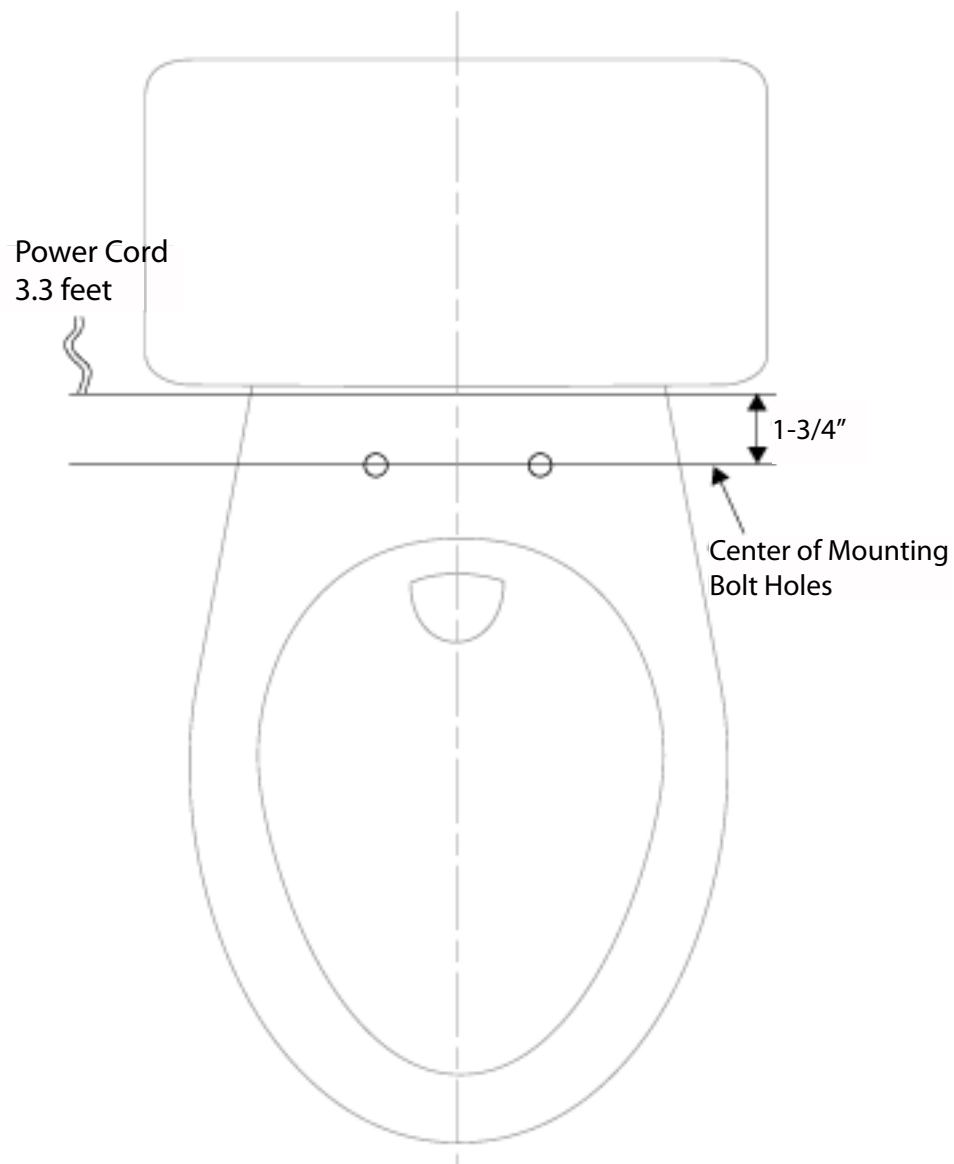
● SW502 elongated



Washlet S300 Fit Chart

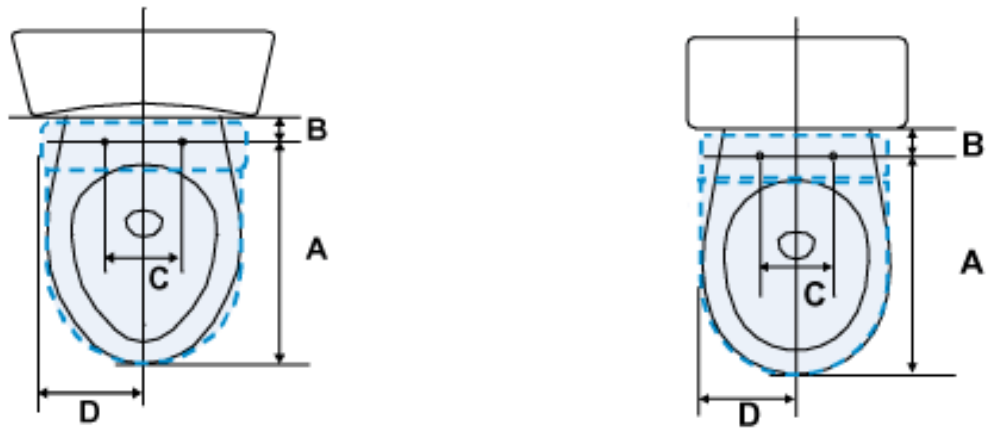
What if my Toilet isn't a TOTO Toilet? Will the Washlet still fit?

On a standard Toilet with no curves between the seat and tank, all you need is 1-3/4 inches of room past the mounting bolts.

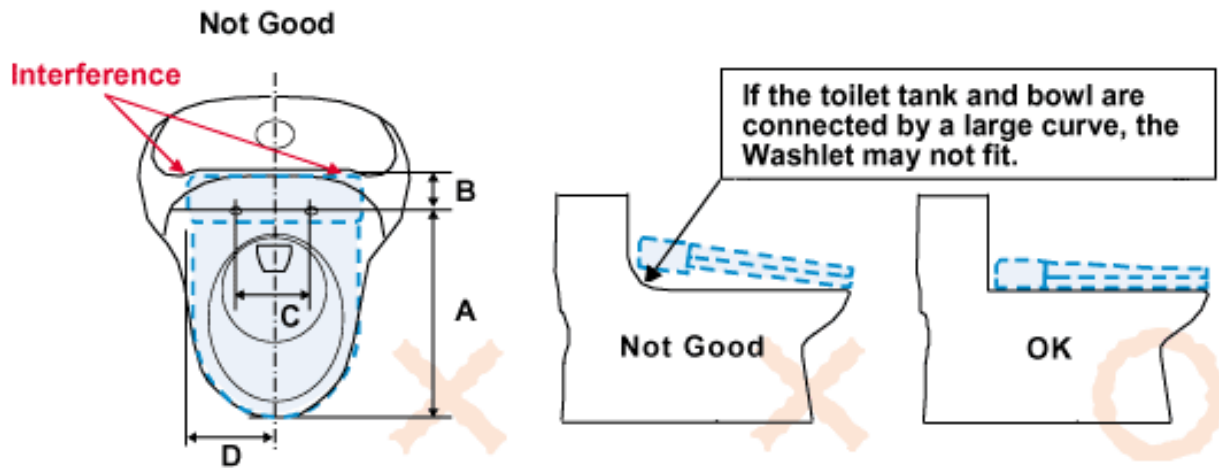




Washlet S300 Fit Chart



Note: Some styles of toilets may not allow the Washlet S300 to be installed due to certain contours near the tank and bowl area (see figures below). In the figure on the left side below, dimension D does not allow for enough open space to accommodate the minimum width of 9 inches.



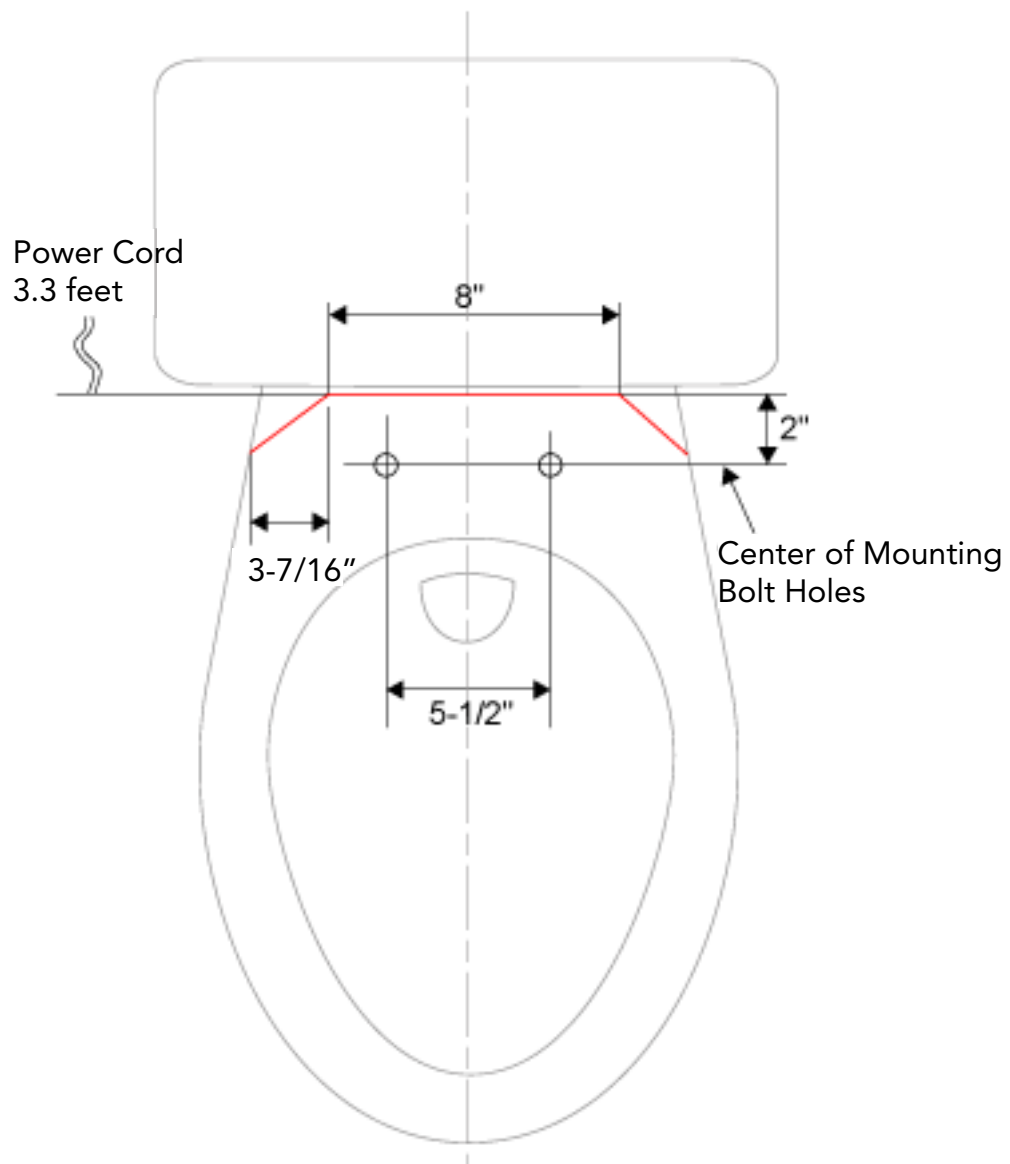
Dimensions	Dimension Requirements
A	Elongated - Approximately 18-1/2 inches (470 mm) Round - Approximately 16-1/2 inches (420 mm)
B	Minimum of 1-3/4 inches (45 mm) from front most face of tank to the center of mounting bolt holes
C	Approximately 5-1/2 inches (140 mm)
D	Minimum 9 inches (210 mm) of open space from center of Washlet S300 (or toilet to edge of Washlet S300 and flat bowl surface.



Washlet E200 Fit Chart

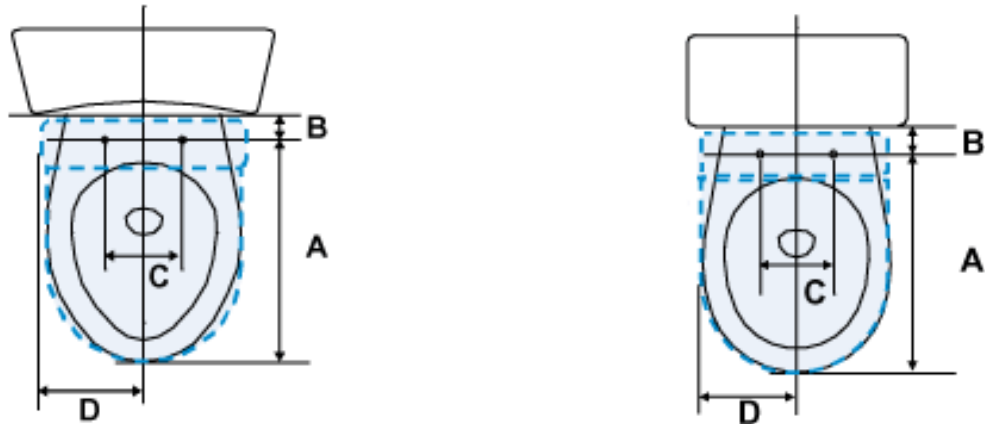
What if my Toilet isn't a TOTO Toilet? Will the Washlet still fit?

On a standard Toilet with no curves between the seat and tank, all you need is two inches of room past the mounting bolts.

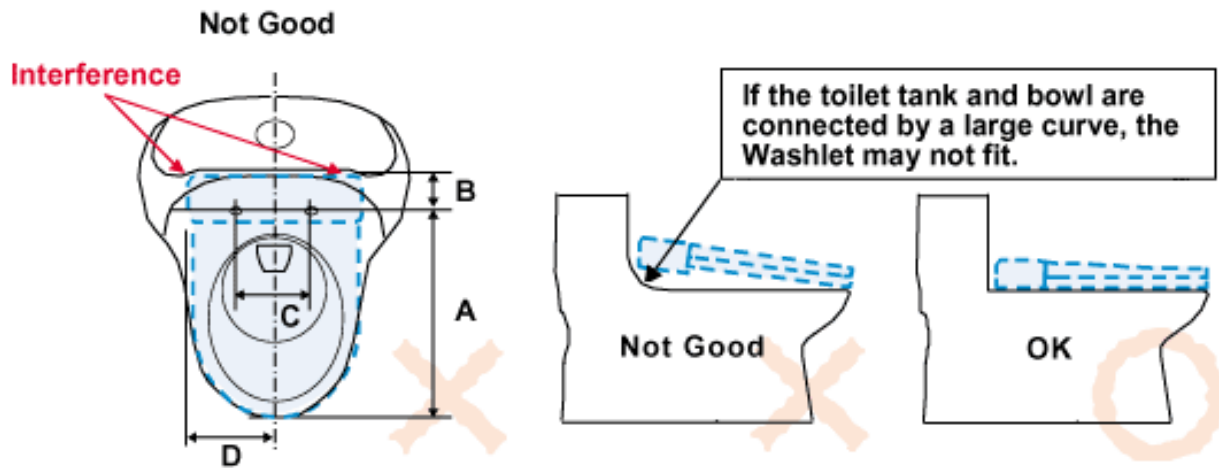




Washlet E200 Fit Chart



Note: Some styles of toilets may not allow the Washlet E200 to be installed due to certain contours near the tank and bowl area (see figures below). In the figure on the left side below, dimension D does not allow for enough open space to accommodate the minimum width of 9 inches.



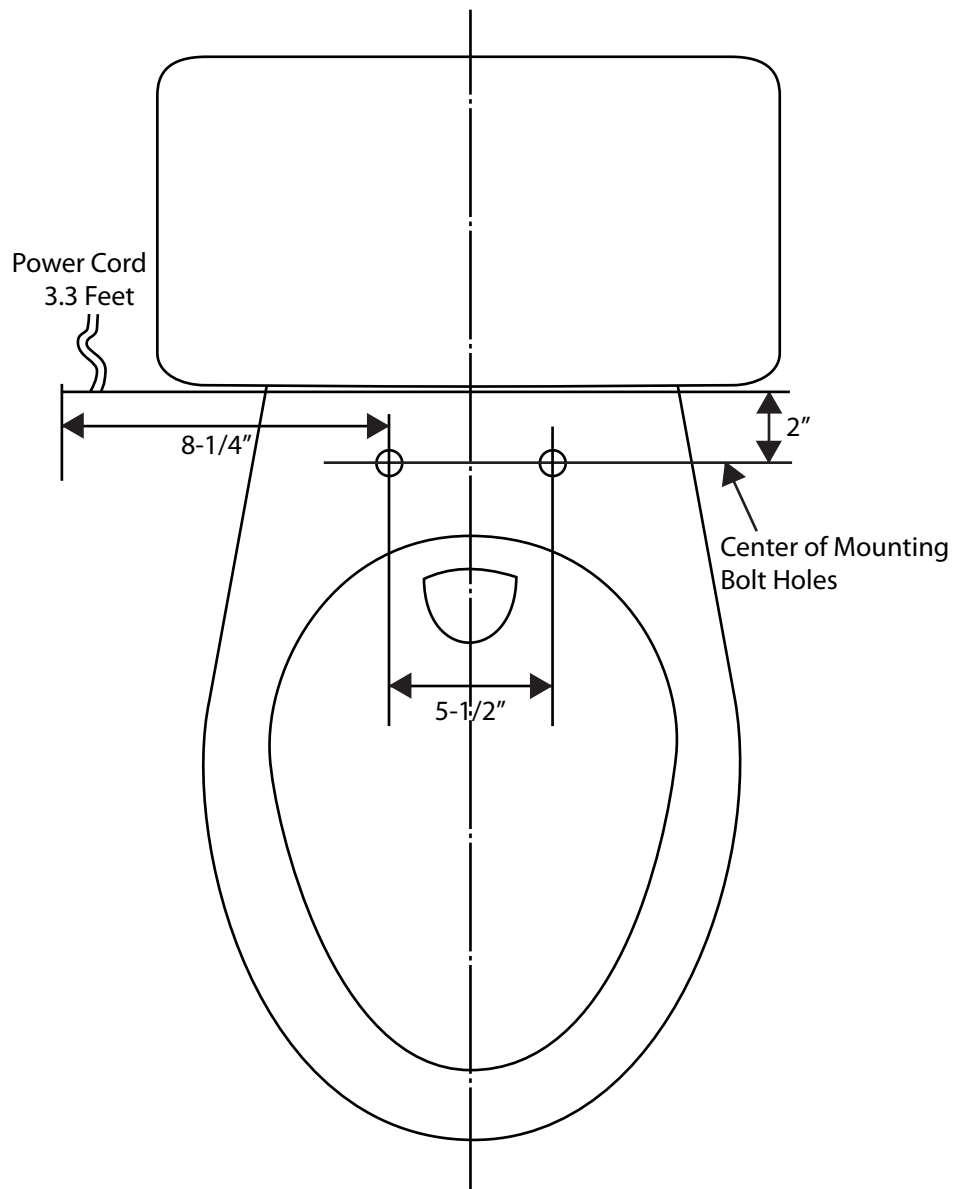
Dimensions	Dimension Requirements
A	Elongated - Approximately 18-3/4 inches (477 mm) Round - Approximately 17-1/2 inches (445 mm)
B	Minimum of 2 inches (51 mm) from front most face of tank to the center of mounting bolt holes
C	Approximately 5-1/2 inches (140 mm)
D	Minimum 9 inches (210 mm) of open space from center of Washlet E200 (or toilet to edge of Washlet E200 and flat bowl surface.



Washlet C110 Fit Chart

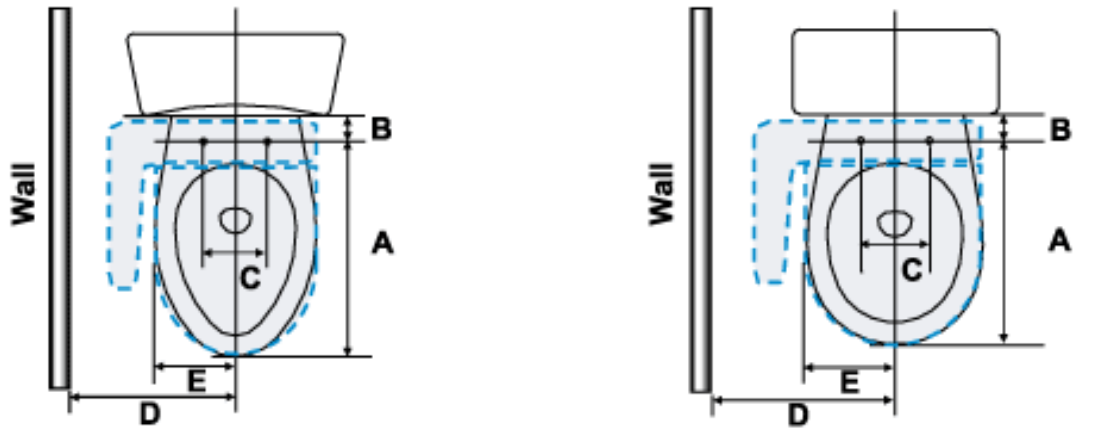
What if my Toilet isn't a TOTO Toilet? Will the Washlet still fit?

On a standard Toilet with no curves between the seat and tank, all you need is 2 inches of room past the mounting bolts.

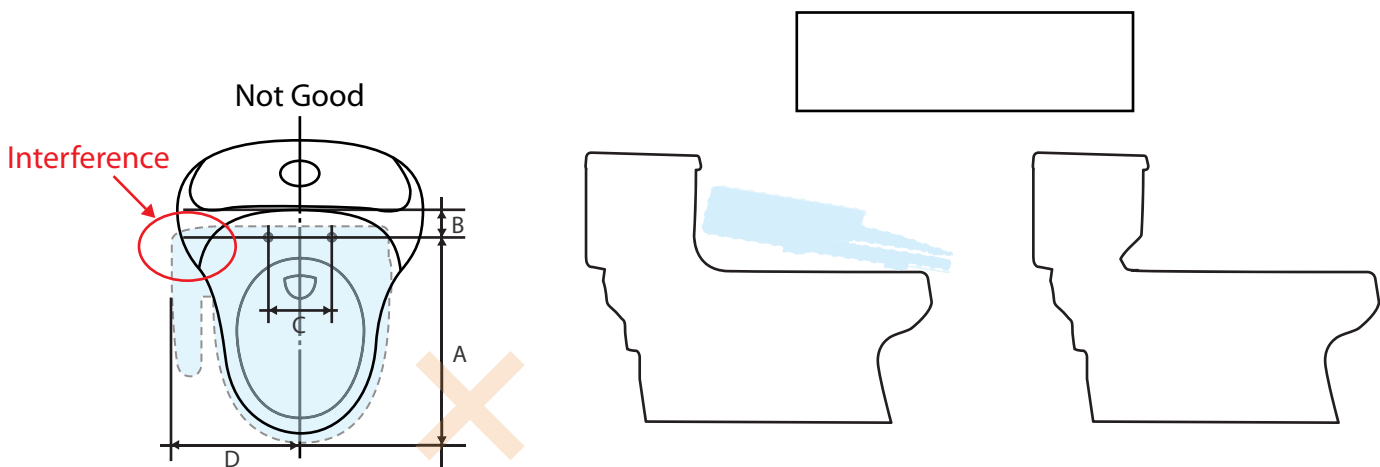




Washlet C110 Fit Chart



Note: Some styles of toilets may not allow the Washlet C110 to be installed due to certain contours near the tank and bowl area (see figures below). In the figure on the left side below, dimension D does not allow for enough open space to accommodate the minimum width of 11 inches.



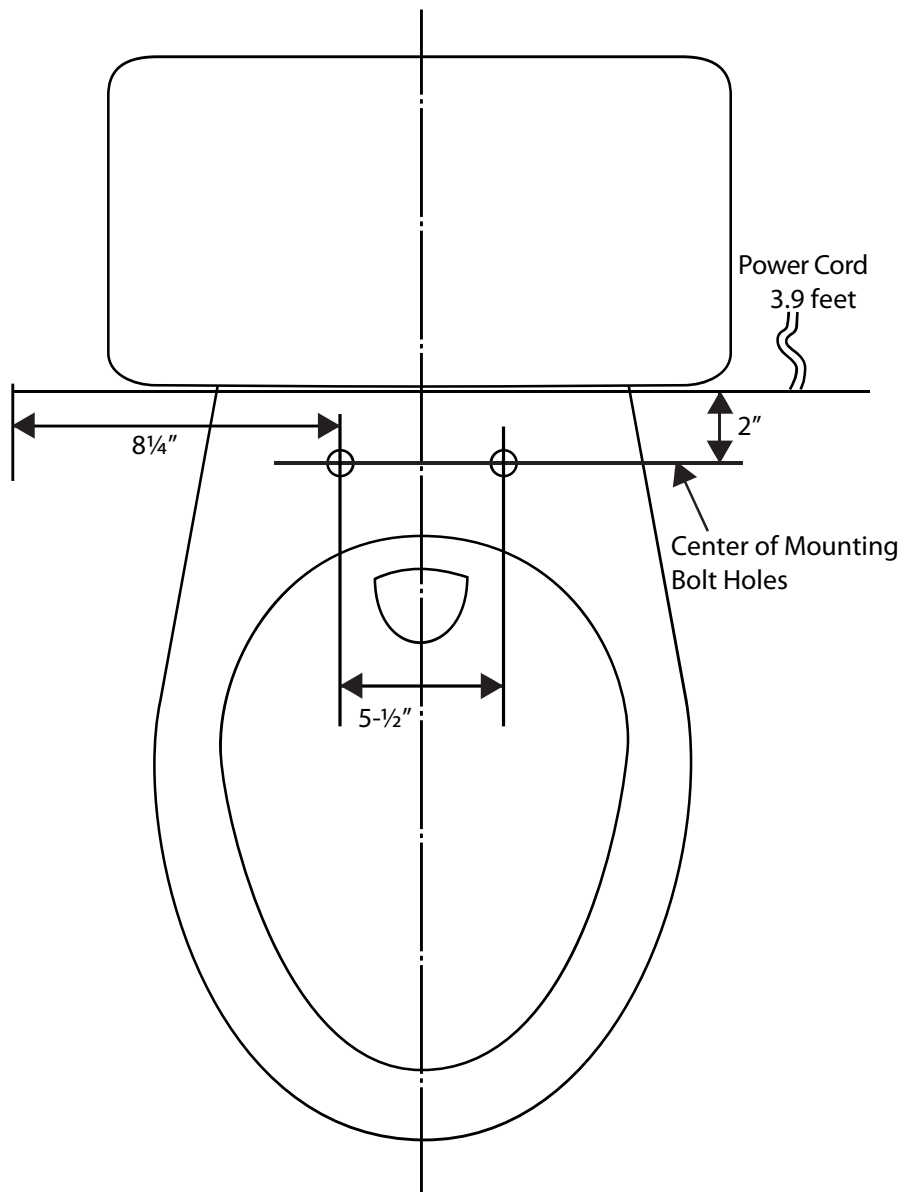
Dimensions	Dimension Requirements
A	Elongated - Approximately 19-1/8 inches (485 mm) Round - Approximately 18 inches (456 mm)
B	Minimum of 2 inches (51 mm) from front most face of tank to the center of mounting bolt holes
C	Approximately 5-1/2 inches (140 mm)
D	Minimum 11 inches (277 mm) of open space from center of Washlet C100
E	Maximum 8-3/8 inches (213mm) from center to edge of bowl and flat bowl surface



Washlet B100 Fit Chart

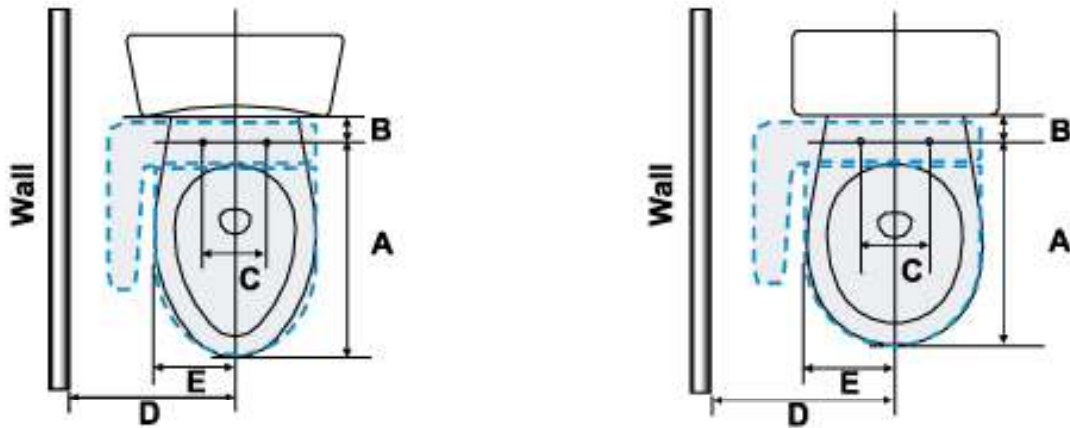
What if my Toilet isn't a TOTO Toilet? Will the Washlet still fit?

On a standard Toilet with no curves between the set and tank, all you need is 2 inches of room past the mounting past the mounting bolts.

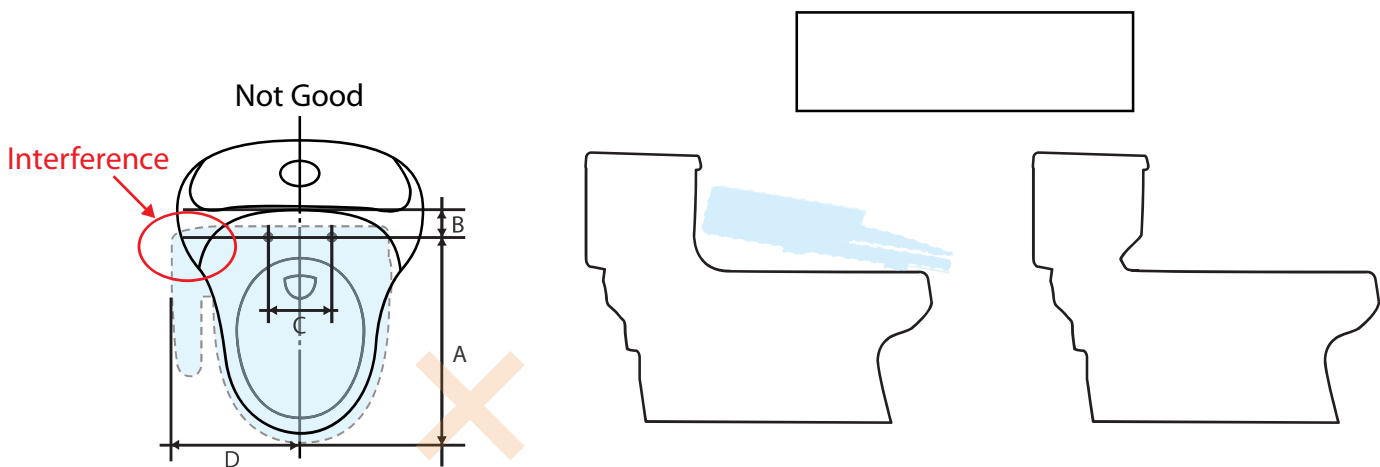




Washlet B100 Fit Chart



Note: Some styles of toilets may not allow the Washlet B100 to be installed due to certain contours near the tank and bowl area (see figures below). In the figure on the left side below, dimension D does not allow for enough open space to accommodate the minimum width of 11 inches.



Dimensions	Dimension Requirements
A	Elongated - Approximately 18-1/2 inches (470 mm)
B	Minimum of 2 inches (51 mm) from front most face of tank to the center of mounting bolt holes
C	Approximately 5-1/2 inches (140 mm)
D	Minimum 11 inches (278 mm) of open space from center of Washlet B100
E	Maximum 8-3/8 inches (213mm) from center to edge of bowl and flat bowl surface